



City of Camarillo
 Building and Safety Department
 601 Carmen Drive
 Camarillo, California 93010
 805-388-5395 • fax 805-388-5393
 Email – Bldgsafe@ci.camarillo.ca

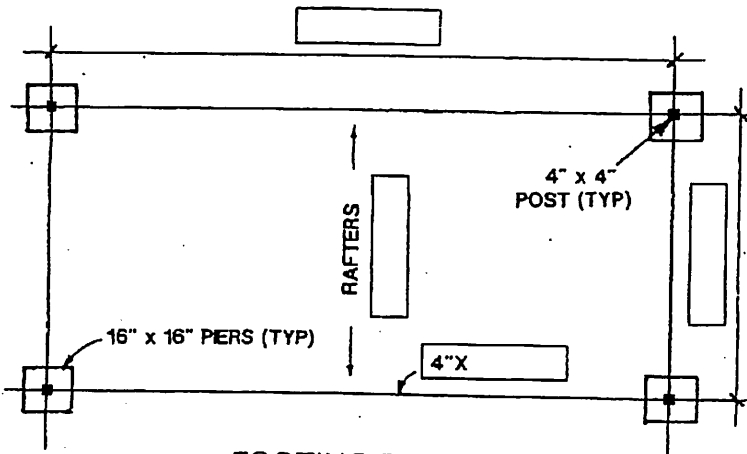
DETACHED PATIO COVER

NOTES:

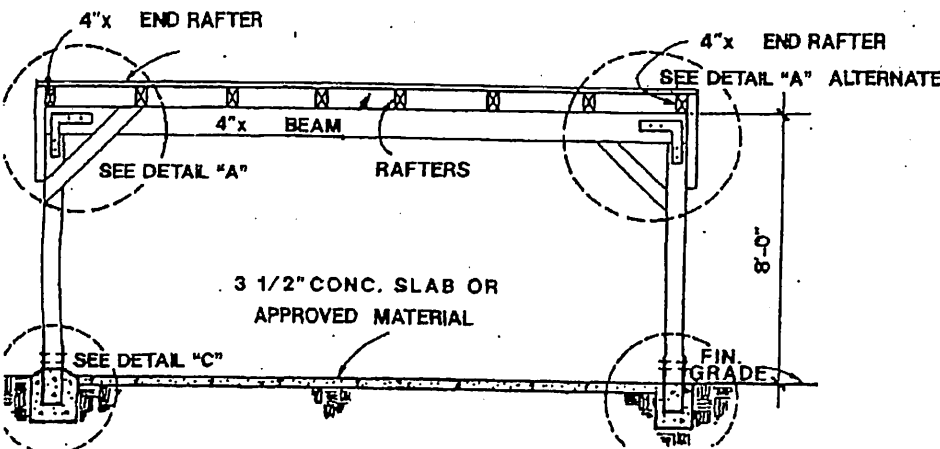
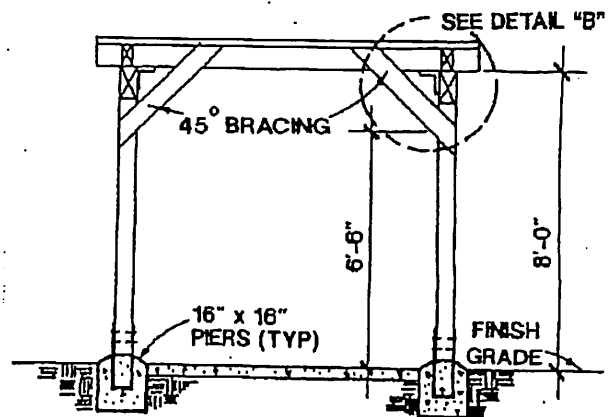
1. Longer side and one additional side of patio shall be 65 % open, 6'-8" above the floor.
2. One hour fire wall required when exterior face of post/wall is located less than 3'-0" from property line.
3. Roof sheathing, when exposed to weather, plywood shall be of exterior type. Use minimum 3/8" CDX plywood sheathing with 8d @ 6,6,12 and panel span of 24/0 for rafter spacing exceeding 24" O.C., either use 2x T & G under the plywood or use plywood thickness nailing and panel span rating per UBC tables 23-1-J-1 and 23-1-S-1.

ACCEPTANCE ROOF COVERING

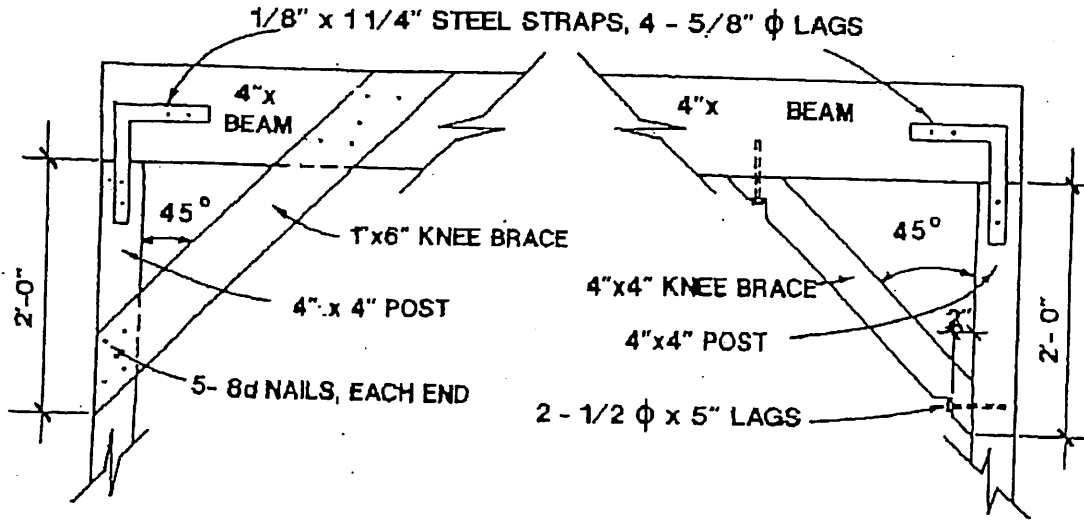
<u>PITCH</u>	<u>MIN</u>	<u>MAX</u>
1. <u>Asphalt shingles #235</u> One layer of 15# felt limit	4:12	No
2. <u>Wood shakes/shingles</u> <u>Class B</u> One layer of 30# felt limit	4:12	No
3. <u>Built-up roof</u> 3-15# felt & 1-90#	½:12	2:12
4. Any Class A/B built-up	Per Manufacturer	
5. <u>Metal roofing</u> 30 GA thickness for Drainage	adequate slope	



PLAN (SEE SPAN TABLE BELOW FOR FRAMING SIZES)

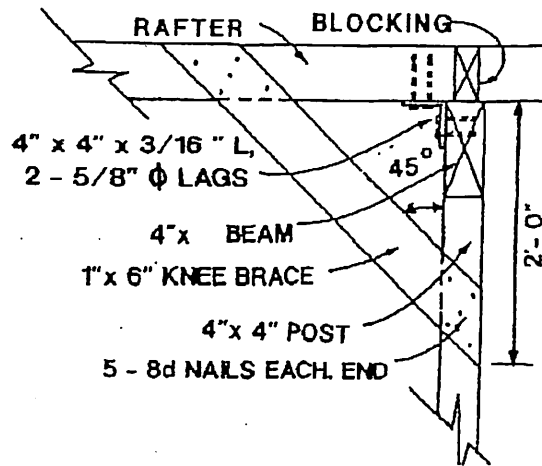


SEE DETAIL "C" ALTERNATE

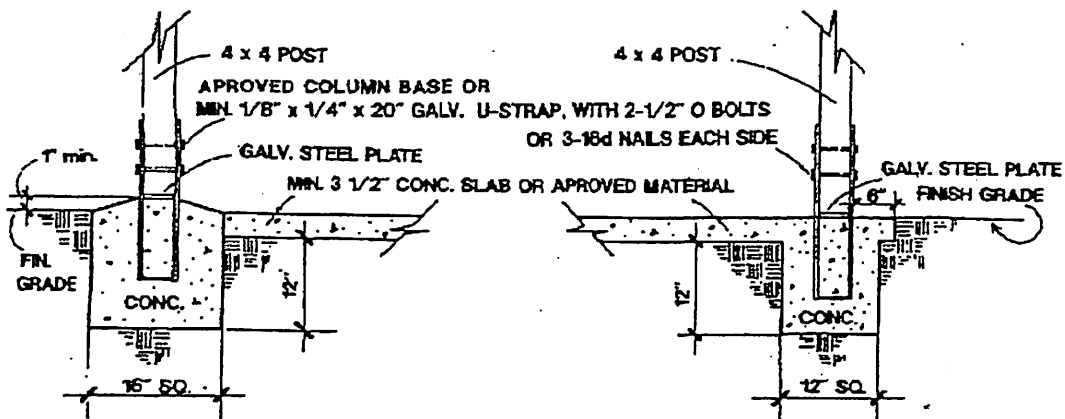


DETAIL "A"

DETAIL "A" ALTERNATE



DETAIL "B"



DETAIL "C"

DETAIL "C" ALTERNATE

ALLOWABLE SPANS FOR ROOF RAFTERS AND HEADERS

LUMBER: Douglas Fir-Larch, Surface-Dry condition (19% maximum moisture content.)

SIZE W X D	GRADE	RAFTER SPACING I					
		12	16	24	32	42	46
2 X 4	SS	14-3	13-0	11-3	10-3	9-6	8-9
	#1 +	14-0	12-9	11-3	9-6	8-6	7-9
	#1	13-9	12-6	10-3	9-0	7-9	7-3
	#2	13-6	12-0	9-9	8-3	7-3	6-9
2 X 6	SS	22-6	20-6	18-0	16-0	13-9	13-0
	#1 +	22-3	20-0	16-3	14-3	12-3	11-6
	#1	21-6	18-9	15-3	13-3	11-6	10-9
	#2	20-3	17-6	14-3	12-3	10-9	10-0
2 X 8	SS	29-9	27-0	23-3	20-3	17-6	16-6
	#1 +	29-3	25-6	20-9	18-0	15-9	14-6
	#1	27-3	23-9	19-3	16-9	14-6	13-6
	#2	25-6	22-3	18-0	15-6	13-6	12-9
2 X 10	SS	34-6	31-0	28-6	24-9	21-6	20-0
	#1 +	31-0	28-6	25-3	22-0	19-0	18-0
	#1	29-0	26-6	23-6	20-6	17-9	16-9
	#2	27-0	24-6	22-0	19-0	16-9	15-6
2 X 12	SS	33-0	29-6	26-6	23-3	20-9	19-3
	#1 +	29-6	26-6	23-3	20-9	19-3	
	#1	27-6	24-6	21-6	18-6	16-6	

BEAM SIZE W X D	RAFTER SPAN (FT)	MAXIMUM POST SPACING (FT)	
		#1 +: #	#2
4 X 6	8	12- 0	10-0
	12	10- 0	10-0
	14	10- 0	8-0
	16	8- 0	8-0
4 X 8	12	14- 0	12-0
	16	12- 0	12-0
	20	10- 0	10-0
	24	10- 0	10-0
4 X 10	16	14- 0	14-0
	20	14- 0	12-0
	24	12- 0	12-0
	28	12- 0	10-0
4 X 12	16	18- 0	16-0
	20	16- 0	14-0
	24	14- 0	14-0
	28	14- 0	12-0

SIZE W X D	GRADE	RAFTER SPACING IN INCHES				
		32	42	48	60	72
4 X 4	SS	13-9	12-6	12-0	11-0	10-3
	#1 +	13-6	12-0	11-3	10-0	9-3
	#1	12-9	11-3	10-6	9-3	8-6
	#2	12-0	10-6	9-9	8-9	8-0
4 X 6	SS	21-6	19-9	18-6	16-6	15-0
	#1 +	20-3	17-6	16-6	14-9	13-6
	#1	18-9	16-6	15-3	13-9	12-6
4 X 8	SS	28-6	26-0	24-6	21-9	20-0
	#1 +	26-9	23-3	21-9	19-6	17-9
	#1	24-9	21-9	20-3	18-0	16-6
4 X 10	SS	32-0	30-0	26-9	24-6	
	#1 +	28-6	26-9	23-9	21-9	
	#1	26-6	24-9	22-3	20-3	

SIZE W X D	GRADE	RAFTER SPACING IN INCHES			
		48	60	72	96
6 X 6	SS	20-9	18-6	16-9	14-6
	#1	18-6	16-6	15-0	13-0
6 X 8	SS	28-3	25-3	23-0	20-0
	#1	25-3	22-6	20-6	17-9
6 X 10	SS	35-9	33-0	30-3	26-3
	#1	34-0	30-6	27-9	24-0

